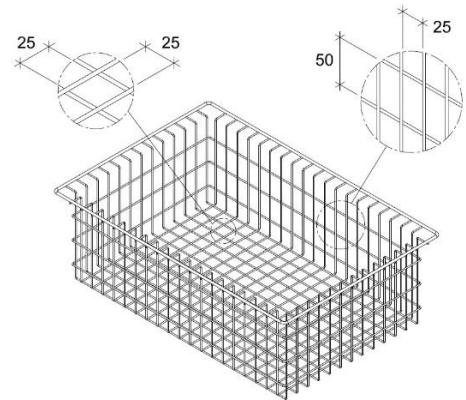
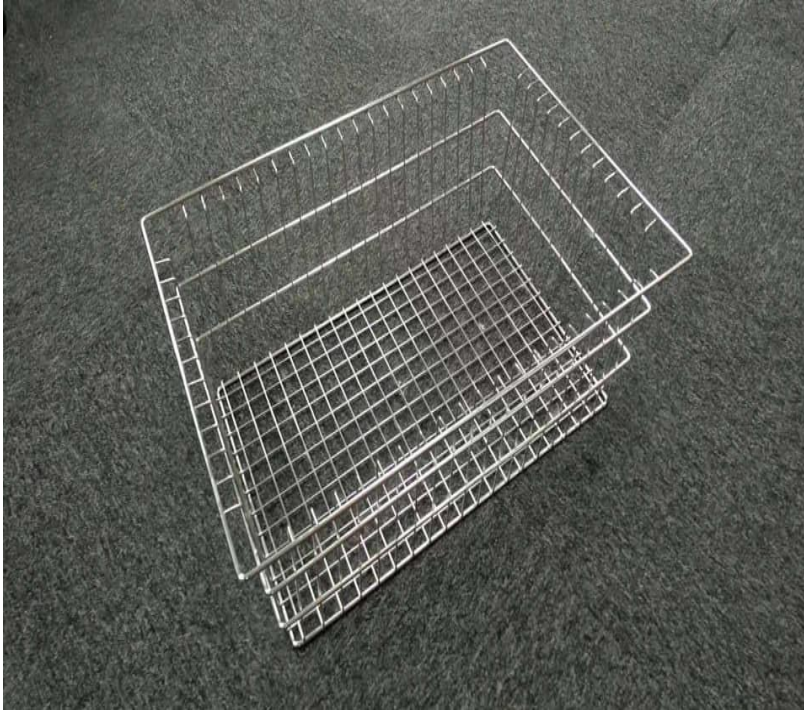


## Steril-MAX Stainless Steel Basket MODEL: SM-B-195



### **Product Features:**

- Constructed from Stainless Steel medical grade material
- All rod ends are welded using resistance spot welding (RSW) method, and well-trimmed to ensure no sharp edges
- Rigid base with small pitching of rod configuration (SQ 25 x 25); side walls are reinforced by 2 frames at a distance of 50mm apart
- Stackable design (save space)

### **Technical Details:**

- **Overall size:** 585mmL x 395mmW x 195mmH
- **Material:** Top flange SUS304 rod Ø 5mm  
Body SUS304 rod Ø 3mm
- **Finishing:** Electro Polished

### **Optional:**

- **Overall size:** 585mmL x 395mmW x 100mmH (**Model: SM-B-100**)